

NTD

NATIONAL TRACKED DUMPER HIRE LTD

7 TONNE 360° SLEW

SPECIFICATION

All dimensions below were correct at time of print, E&OE.



MODEL: MST-1500VDR / MST-80CR

6 CYLINDER, DISPLACEMENT: 6.7 LITRES

168PS / 225KW @ 2200RPM / EU Stage 4 and 5

FUEL TANK CAPACITY: 200 LITRES (AD BLUE: 20 LITRES)

MACHINE WEIGHT: 11500KG

PAYLOAD: 7000KG

MAX TRAVEL SPEED: 8.6KPH

GROUND PRESSURE (UNLOADED): 3.8 PSI

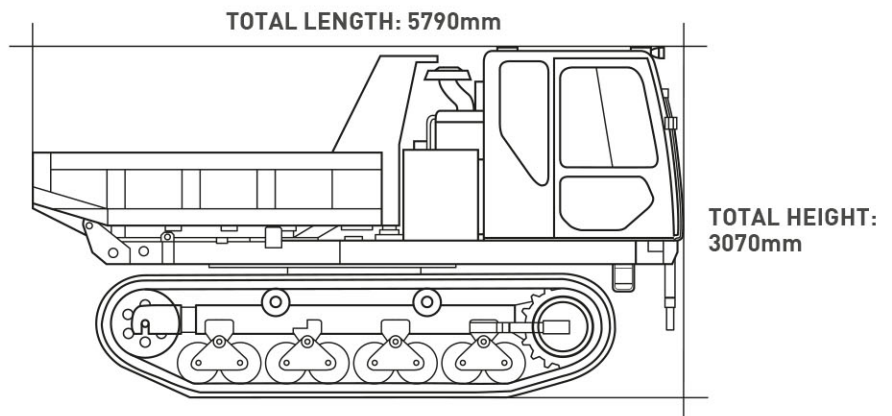
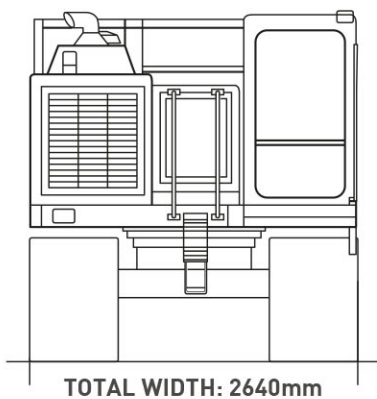
GROUND PRESSURE (LOADED): 6.5 PSI

TRACK WIDTH: 700MM • SLEW RADIUS: 3370MM

DUMP BODY CAPACITY (STRUCK): 2.34M³

DUMP BODY CAPACITY (HEAPED): 3.9M³

These mid-range 360° slewing tracked dumpers are a very popular model. This machine can fully tip a load at any radius, particularly useful on riverbanks where the operator may not have space to turn or where turning and reversing may be a risk. This offers huge safety and environmental benefits. The operator is kept in a face forward position at all times, resulting in faster speed of operation with comfort, there is almost never a need to reverse this machine.



FEATURE ICONS



HUMAN FORM RECOGNITION SYSTEM



ROPS OPERATORS CAB



BIODEGRADABLE HYDRAULIC OIL



HYDRAULIC ISOLATION SYSTEM



SEATBELT BEACON SYSTEM



REVERSING CAMERA



360° CAMERA



360° SLEWING

NTD National Tracked Dumper Hire Ltd, Weston Yard, Albury, Surrey GU5 9AF

0844 376 0051

hiredesk@ntdh.co.uk

www.ntdh.co.uk

