

# NTD

NATIONAL TRACKED DUMPER HIRE LTD

## 20 TONNE 360° SLEW

## SPECIFICATION

All dimensions below were correct at time of print, E&OE.



### MODEL: MST-4000VDR

6 CYLINDER, DISPLACEMENT: 9.3 LITRES

421PS / 310KW @ 2200RPM / EU Stage 5

FUEL TANK CAPACITY: 400 LITRES (AD BLUE: 20 LITRES)

MACHINE WEIGHT: 24740KG

PAYLOAD: 20000KG

MAX TRAVEL SPEED: 11.2KPH

GROUND PRESSURE (UNLOADED): 6.5 PSI

GROUND PRESSURE (LOADED): 11.8 PSI

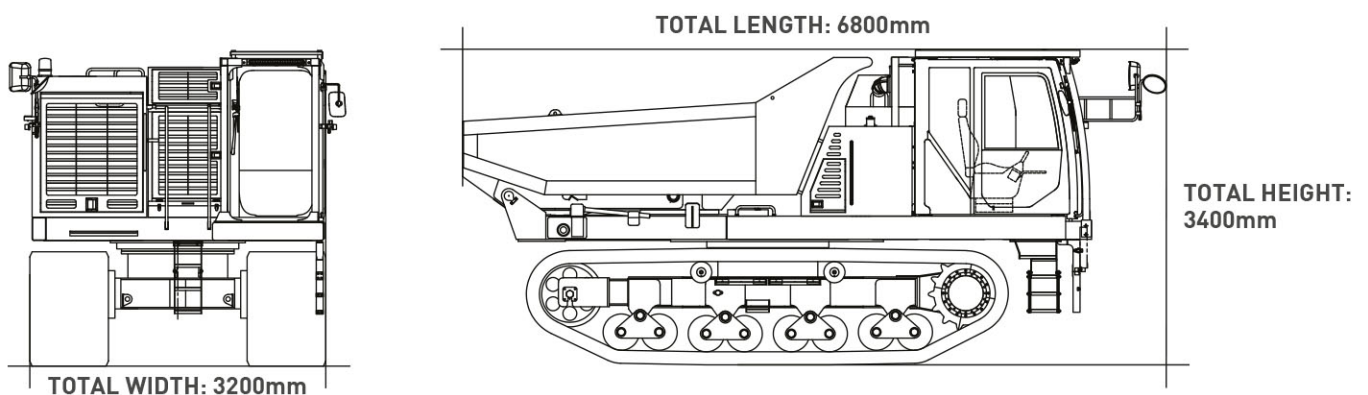
TRACK WIDTH: 850MM • SLEW RADIUS: 3200MM

DUMP BODY CAPACITY (STRUCK): 7.8M<sup>3</sup>

DUMP BODY CAPACITY (HEAPED): 10.25M<sup>3</sup>

The MST4000VDR is our largest tracked dumper. With its massive 20000 kg payload, this impressive machine will make short work of any task. The all round view monitor allows you to check 360° from above with HGV style offside camera fitted as standard, also with the Human Form Recognition (HFR) system available.

A large LED headlight installed on the upper part of the cabin makes it safer to work at night. With electric control travel lever introduced, integrating the horn and low/speed switching. The driving posture has been improved to reduce operator's fatigue. Intuitive operation made possible, using only the left-hand joystick for driving.



### FEATURE ICONS



HUMAN FORM RECOGNITION SYSTEM



ROPS OPERATORS CAB



BIODEGRADABLE HYDRAULIC OIL



HYDRAULIC ISOLATION SYSTEM



SEATBELT BEACON SYSTEM



REVERSING CAMERA



360° CAMERA



360° SLEWING

NTD National Tracked Dumper Hire Ltd, Weston Yard, Albury, Surrey GU5 9AF

0844 376 0051

hiredesk@ntdh.co.uk

www.ntdh.co.uk

